

SIGHT GLASS SOG SERIES-150

Butt Weld Ends
Used For Optical Control
Without Rest Fluid In the Body In Horizontal Installation

Technical Data

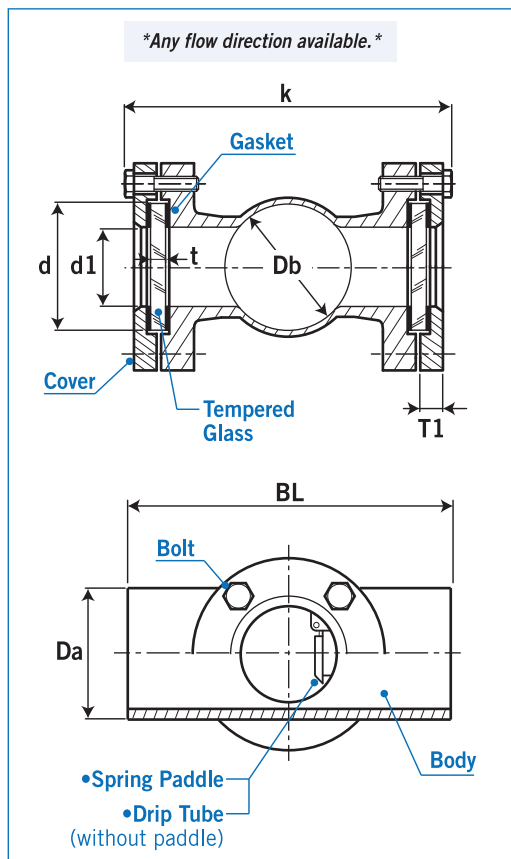
Size: 1"~10" available
Pressure Limited:
 for size 1"~2" : 15 kg/cm² @25°C water; 25 & 40kg/cm² are on request
 for size 3"~4" : 15 kg/cm² @25°C water
 for size 5"~10" : 10kg/cm² @25°C water
Temperature Limited: 200°C (option: 300°C available)
Material: Wetted Parts & Body– SS316, SS304, SS316L, SS304L, option available;
 Paddle– SS316; Spring– SS316;
 Gauge– Tempered glass;
 Gasket– Teflon, Gore-Tex, Graphite available



Approvals:



Dimensions & Parts List



Dimensions Data

Size (inch)	1"	1½"	2"	3"	4"	5"	6"	8"	10"
Db	25.2	40.4	51	80	103	128	148.6	198	257
Da	40	49	61	90	115	142	166	216	275
t	8	12	12	12	16	16	16	16	19
d	54.8	80	80	99.5	128	163.4	195	245	175
BL	140	200	220	270	313	364	400	480	730
ød1	44	65	65	85	112	147	174.8	235	151
k	87	136	146	183	212	247	276	345	410
T1	12	15	15	18	18	19	19	20	18
Bolts No.	4	4	4	4	6	6	6	6	6
Bolts Size	M8	M10	M10	M12	M12	M12	M12	M12	M12
Bolts Length	80	130	140	40	45	50	50	60	50

t=Tempered Glass Thickness / d=Tempered Glass Diameter

Ordering Information

SOG-150	Code	Type
	W	With Paddle
	N	Without Paddle (Drip Tube)– scale unavailable
	Code	Wetted Parts Material
		(1) SS316 (2) SS304 (3) SS316L (4) SS304L (5) option
	Code	Size
		(A) 1" (B) 1½" (C) 2" (D) 3" (E) 4" (F) 5" (G) 6" (H) 8" (I) 10"
	Code	Gasket Material
		(1) Teflon (2) Gore-Tex (3) Graphite
SOG-150		Complete Ordering Code