

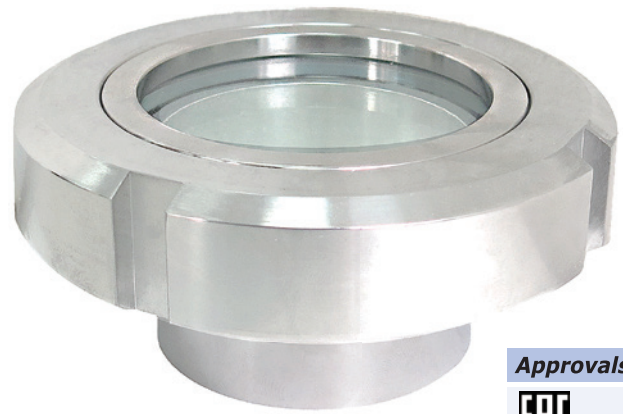
# SIGHT GLASS

## SOG SERIES-200

SOG Series-200 sight glass gauge is designed for viewing into vessels and pipelines. Especially for the process media such as industries of food, beverage and creameries, etc.

### Technical Data

- Wiper
  - Light Fittings
- Size:** Butt weld pipe end 2"~4" available  
**Pressure Limited:** 16Bar(Kg/cm<sup>2</sup>) @25°C water  
**Temperature Limited:** Up to 120°C  
**Material:** Wetted Parts & Body– WN 1.4404 / AISI 316, WN1.4301 / AISI 304, and Others on request;  
 Slotted Cover Nut– WN 1.4301 / AISI 304  
 Sight Glass– Transparent tempered glass;  
 Gasket– Silicone, Viton, EPDM, PTFE and Others on request

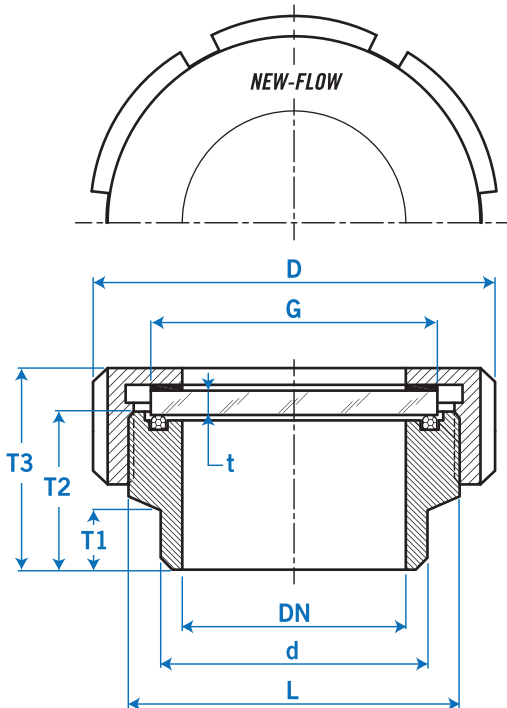


**Approvals:**



WWW.NEW-FLOW.COM • TEL: 886-7-8135500 • FAX: 886-7-8225588 • Email: info@new-flow.com

### Dimensions



### Dimensions Data

Size	DN	t	G	D	d		L	T1	T2	T3
					SOG-200 (DIN-15)	SOG-200S (DIN-15I)				
2"	DN50	10	63	92	55	50.8	78	18	35	44
2½"	DN65	12	80	112	72	63.5	95	22	40	50
3"	DN80	15	95	127	87	76.2	110	23	45	59
4"	DN100	18	113	148	106	101.6	130	32	54	71

### Ordering Information

SOG	Code	Type (difference in the length of "d")	
	200	DIN-15	200S DIN-15I
		Code	Body Material
		1	WN 1.4404 / AISI 316
		2	WN 1.4301 / AISI 304
		3	Option
		Code	Size
		(A)	2" (B) 2½" (C) 3" (D) 4"
		Code	Gasket Material
		(1)	Silicone (2) Viton (3) EPDM (4) PTFE (5) Other
SOG			

**Complete Ordering Code**