

SIGHT GLASS SR SERIES

Welding– In Vessel Type
Low Pressure System Used



Technical Data

Length: 1, 2 & 4 section available; please refer to the Dimensions Table

Pressure Limit: Up to 12 bar (kg/cm²); depending on request size

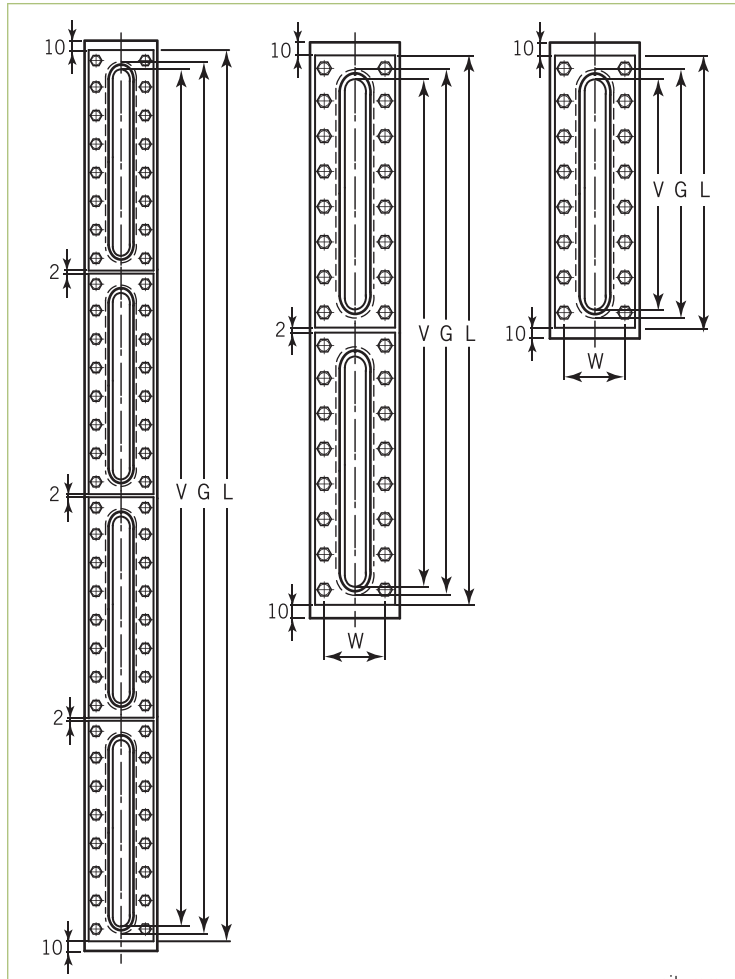
Temperature Limit: Up to 280°C

Material: Wetted parts & Body– SS304, SS316, and others on request;
Sight Glass– Tempered borosilicate glass (Reflex & Transparent available);
Bolt– SS304 and others on request; Gasket– NonAsbestos (standard), Teflon on request

Approvals:

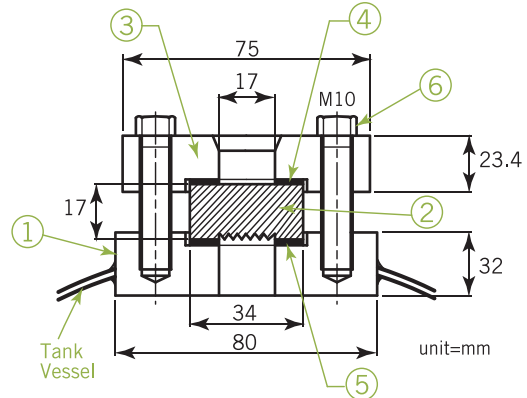


Dimensions



Order Code	Total Length	Section No.	Visible Length V	Glass Length G	Bolts		Weight (kg)
	L (+5/-5mm)				No.	W	
SR-A1	185	1	135	165	10	51	3.5
SR-A2	240	1	190	220	12	51	5.8
SR-A3	320	1	270	300	14	51	6.5
SR-A4	340	1	290	320	14	51	8.0
SR-A5	360	1	310	340	16	51	9.2
SR-B6	482	2	2 x 190	2 x 220	24	51	11.8
SR-B7	642	2	2 x 270	2 x 300	28	51	13.8
SR-B8	682	2	2 x 290	2 x 320	28	51	15.6
SR-B9	722	2	2 x 310	2 x 340	32	51	18.5
SR-C10	980	3	3 x 270	3 x 300	48	51	22.3

Parts List



No.	Parts Name	Material
1	PAD Flange	SS304 or SS316 available
2	Sight Glass	Tempered Borosilicate Glass (340 x 34 x 17mmt)
3	Cover	SS304
4	Gasket	NonAsbestos, t=3mm
5	Gasket	NonAsbestos, t=3mm
6	Bolt, M10	SS304

Ordering Information

SR	Code	Order Code
		Please fill in the order code directly. (A1~C10)
		(0) option (customize)
	Code	Body (Pad Flange) Material
		(1) SS304 (2) SS316 (0) option
	Code	Sight Glass Type
	R	Reflex
	T	Transparent
	Code	Gasket Material
	1	Non-Asbestos
	2	Teflon
SR		