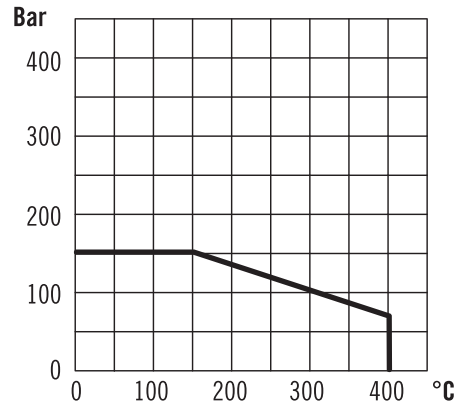


# SYPHON SY SERIES

## Technical Data

**Material:** SS316, SS304 available  
**Pipe Rating:** Sch40S, Sch80S available

## Working Pressure & Temperature



SY-1

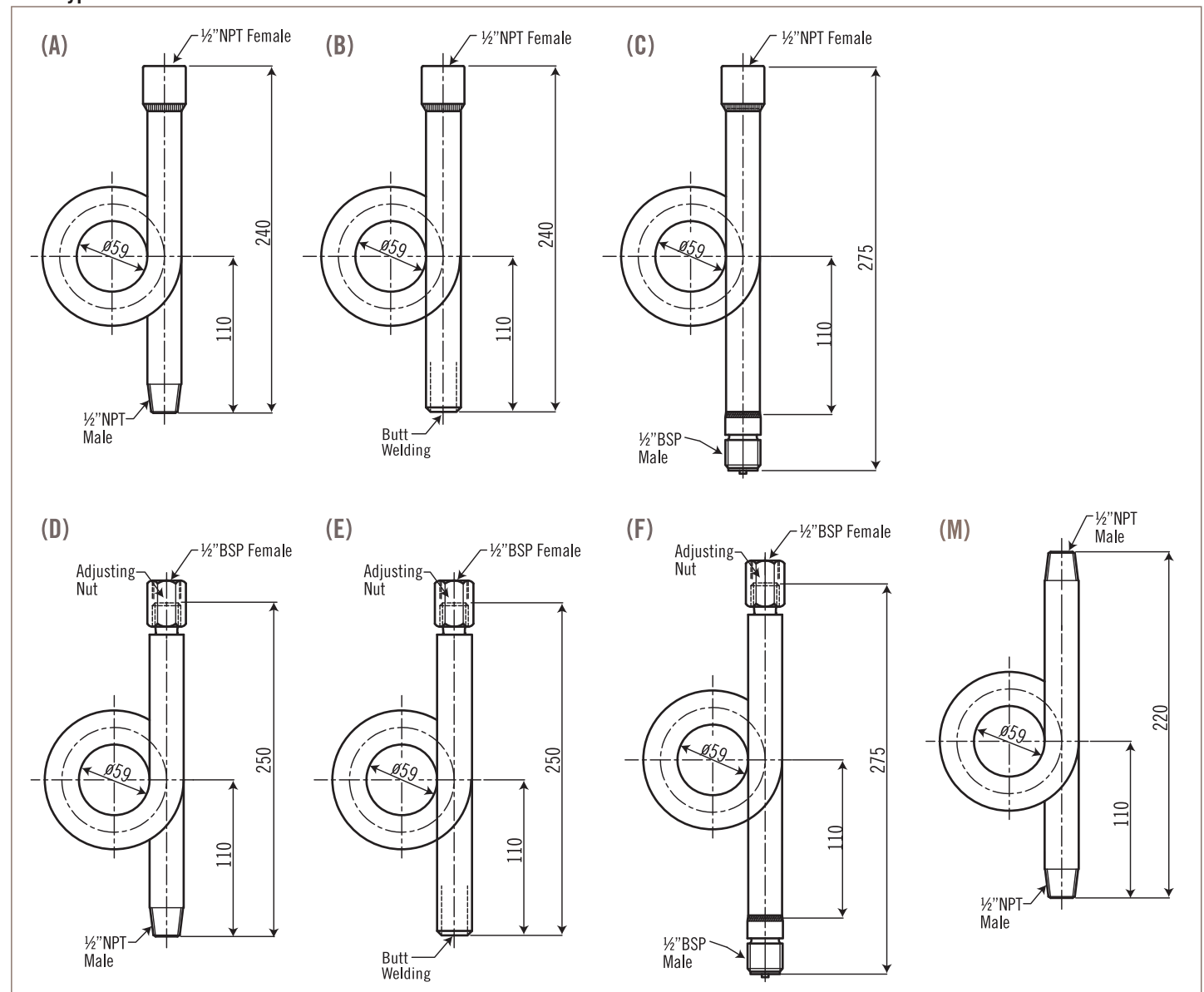


SY-2

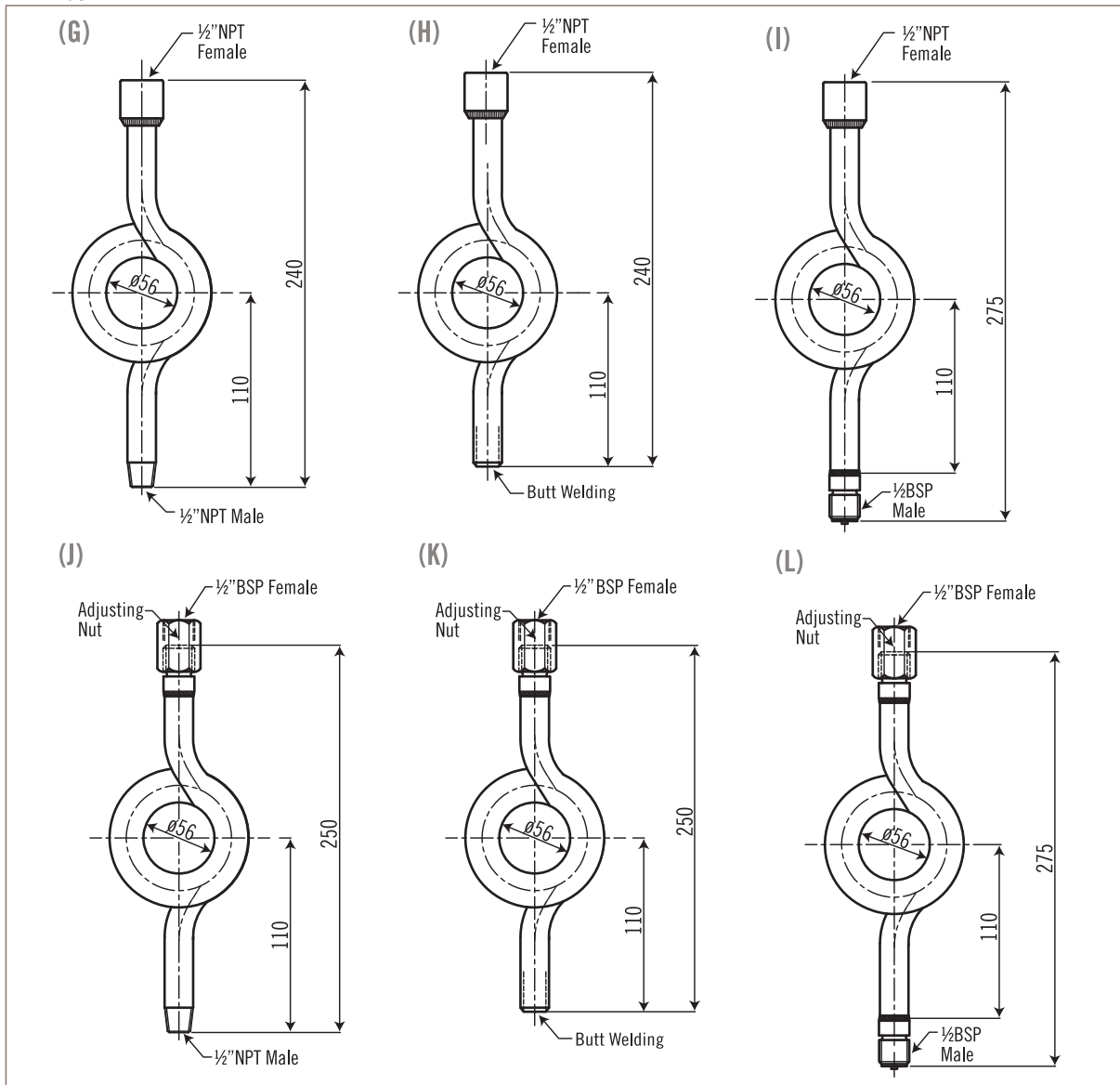


## Dimensions

### SY-1 Type



SY-2 Type



Tube Table

Tube / Material	Max. Temp. (°C)	Max. Press. (Bar)
SCh 40S / SS316	80	250
	120	160
	300	100
	400	80
SCh 80S / SS316	80	300
	120	300
	300	160
	400	100
SCh 100S / SS316	80	400
	120	400
	300	250
	400	160

Ordering Information

SY	Code	Type / Connection Figure		
↓	1-A	SY-1 / A	2-G SY-2 / G	
	1-B	SY-1 / B	2-H SY-2 / H	
	1-C	SY-1 / C	2-I SY2 -/I	
	1-D	SY-1 / D	2-J SY-2 / J	
	1-E	SY-1 / E	2-K SY-2 / K	
	1-F	SY-1 / F	2-L SY-2 / L	
	1-M	SY-1 / M	Option	Please contact manufacturer directly
		Code	Tube Size	
		1	SCh 40S	2 SCh 80S
			Code	Tube Type
		(1) Seam (2) Seamless		
		Code	Tube Material	
		(1) SS304 (2) SS316		
SY				