

THERMAL INSERTION LIQUID LEVEL SWITCH EXPLOSION PROOF

TLS SERIES

CLASS I, GROUPS A, B, C, D;
CLASS II, GROUPS E, F, G; NEMA 4X
Protection: IP68

TLS Series are assembled with a thermal dispersion sensor. It designed to provide a switch function for controller or alarm when the sensor is immersed into process liquid.

Technical Data

- Wetted Parts Material:** 316 stainless steel
- Thread Connection:** 3/4"NPT or 3/4"BSP Male
- Flange Connection:** from 3/4" to 3"; JIS, ANSI, DIN and Clamp available
- Detection Length:** Standard 2"; and option 2"~120" (0~3M)
- Conduit Connection:** 3/4" or 1/2"NPT Female
- Working Temperature:** -30°C~+120°C
- Working Pressure:** maximum 40 kg/cm²
- Power Supply:** 110VAC, 220VAC, 24VDC
- Contact Form:** SPDT x 2
- Contact Rating:** 10A/125VAC, 10A/250VAC
- Response Time:** 3 to 10 seconds
- Repeatability:** ±1% of setpoint



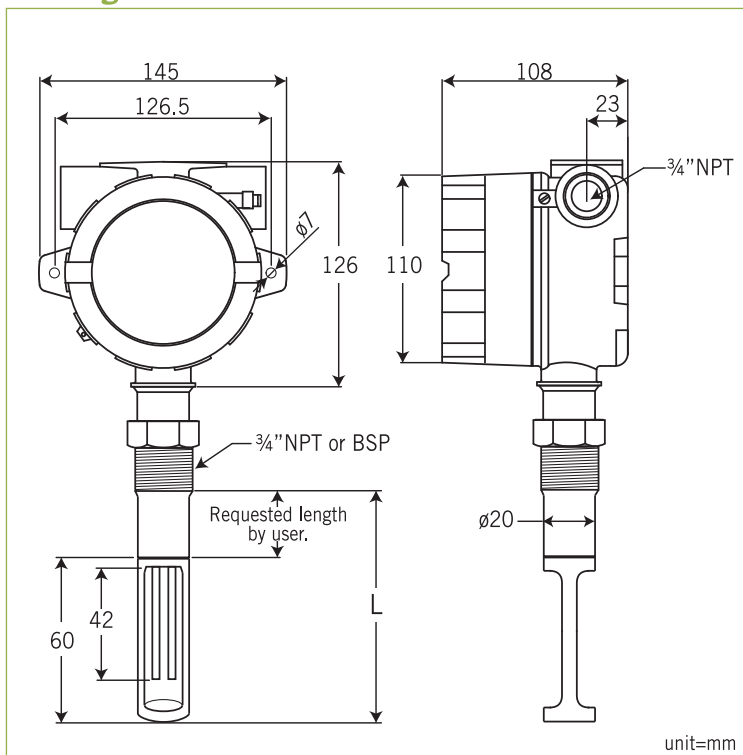
Approvals:



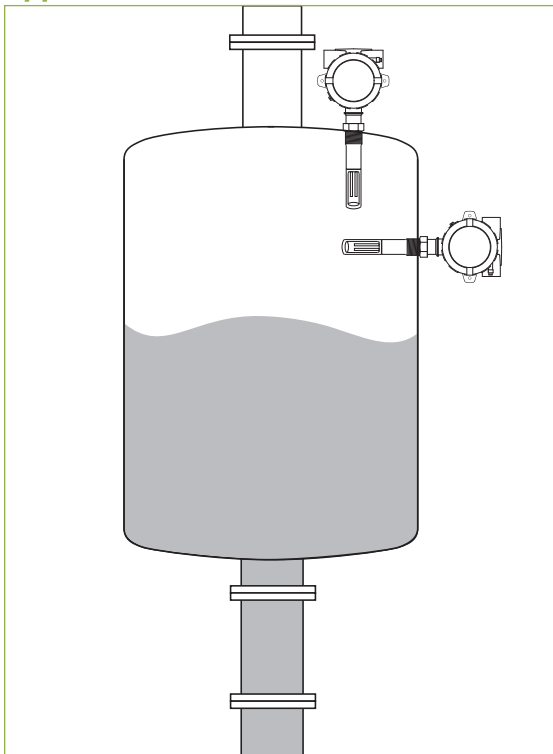
Process Connection

Thread Type	Flange Type DIN, ANSI, JIS 3/4"~3"	Clamp Type ISO 2852 (3A) 3/4"~2"	Coupling Type DIN 11851 3/4"~2"
STANDARD LENGTH			
*Dimension varies according to flange rating. unit=mm			
AVAILABLE LENGTH			
*Dimension varies according to flange rating. unit=mm			

Housing Dimensions



Application and Installation



Ordering Information

TLS	Code	Process Connection Type
↓	↓	(1) Thread Type (2) Flange Type (3) Clamp Type (4) Coupling Type
		Code Connection Size
		(A) 3/4" (B) 1" (C) 1 1/2" (D) 2" (E) 3" (O) option available
		Code Connection Rating
		T Thread: (1) NPT (2) BSP
		F Flange: (3) JIS 10K (4) JIS 20K (5) ANSI 150# (6) ANSI 300# (7) PN10 (8) PN16 (9) PN25 (O) option: fill in the requested rating _____
		N For Clamp Type (ISO 2852)
P For Coupling Type (DIN 11851)		
↓	↓	Code Electronic Connection
		(E) 3/4" NPT Female, Standard (F) 1/2" NPT Female
		Code Insertion Length
↓	↓	S Standard, L=60mm
		L Fill in the requested length, ie: L=300mm
↓	↓	Code Power Supply
		(A) 110VAC (B) 220VAC (C) 24VDC
TLS		
		Complete Ordering Code