

MASS FLOW METERS

TMF SERIES – Flow Rate & Totalizer LCD Display – Flow Rate With or Without LCD Display

- ±1% & ±1.5% Accuracy
- Linear Output
- Thermal Technology
- For Using in Non Corrosive Gas
- For Flow Rates up to 250 SLM
- Power Supply Included

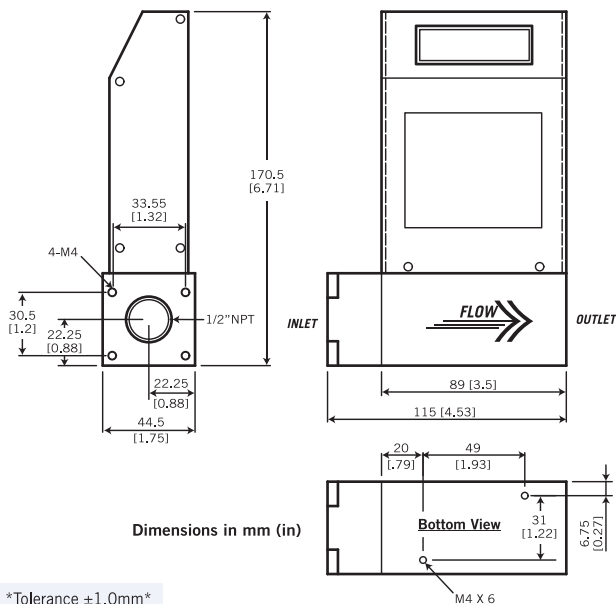
The NEW-FLOW Thermomass Mass Flow Meters provide high performance. Thermal Technology offers advantages in accuracy, sensitivity and turn quality components and the latest technology are combined to provide reliable, compact meters and controllers. The TMF Series comes With or Without an LCD Display; or Flow Rate with Totalizer LCD Display. All models come with linear 0-5VDC and 4-20mA output. The TMF Series measures the mass flow rate of gases in 4 ranges from 0-100 SLM to 0-250 SLM as shown in the range table.

Technical Data

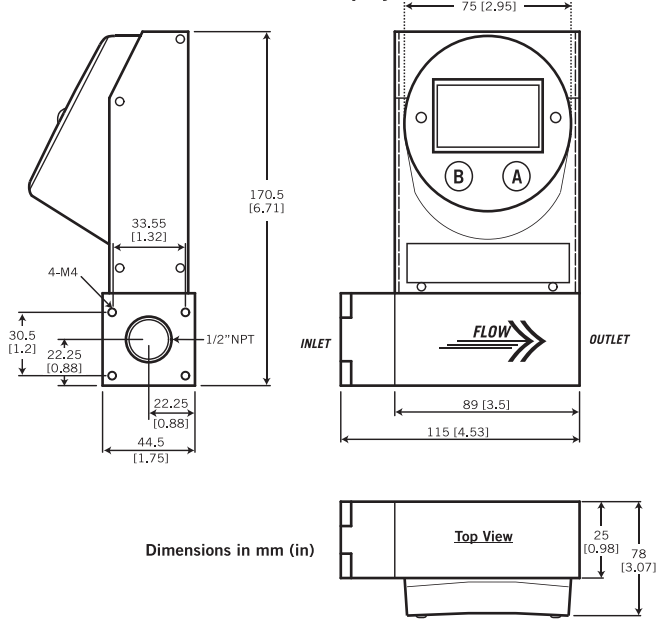
- Type:** Without LCD Display; Flow Rate with LCD Display; Flow Rate with LCD Display & Blue Back Lighted; Flow Rate with Totalizer LCD Display & Blue Back Lighted
- Wetted Parts Material:** Standard flowbody—SS316, option available. O-ring: Viton or FFKM available
- Output Signal:** 0-5 VDC Linear min. load 1000Ω or 4-20 mA Linear, loop resistance 500Ω
- Input Power:** 24VDC standard; optional power supply 15VDC 115VAC, 220VAC @500mA
- Accuracy:** ±1% F.S. (including linearity); ±1.5% F.S. (including linearity) for range 0-250 SLM
- Turn Down Ratio:** 100:1
- Repeatability:** ±0.15% F.S. or Better
- Electric Connection:** 9 Pin Sub “D”
- Process Connection:** ½”NPT female
- Range:** 0-100 SLM to 0-250 SLM
- Minimum Pressure:** 100” H₂O
- Max. Pressure:** 500 psig
- Temperature Range:** 0~50°C
- Response Time:** 1 Second
- Temp. Coefficient:** 0.05% Full Scale per 1°C or Better
- Pressure Coefficient:** 0.01% Full Scale per PSIG or Better
- Flow Unit:** Kg, GAL, Nℓ, Nm³, cc, ℓ, M³
(Flow rate with LCD display: Label by manufacturer;
Flow rate with totalizer LCD display: Unit LCD display)
- Weight:** app. 1.64 kg with power supply; app. 1.78 kg with power supply & totalizer

Dimensions

Flow Rate with LCD Display (without LCD available)



Flow Rate with Totalizer LCD Display

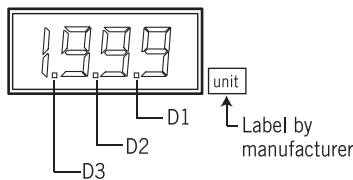


Approvals:



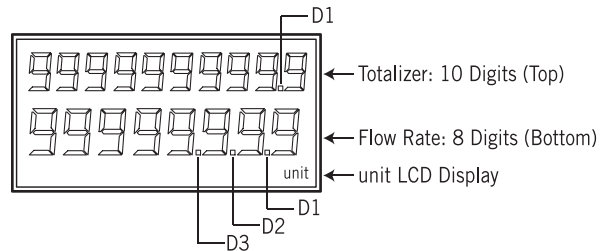
Display Digital Decimal Point Function

Flow Rate with LCD Display:



Range	Decimal Point
0 ~ 1,999	D3
2.0 ~ 19.99	D2
20.0 ~ 199.9	D1
200 ~ 1999	None

Flow Rate with Totalizer LCD Display :



Range Table

Code	SLM	ACCURACY
00	0-100	±1% F.S.
01	0-150	±1% F.S.
02	0-200	±1% F.S.
03	0-250	±1.5% F.S.
04	*Custom Flow Rate	

NOTE.

*Please notice that the max. flow rate is 250 SLM.

Ordering Information

TMF	Code	Flow Range
	00	0~100 SLM
	01	0~150 SLM
	02	0~200 SLM
	03	0~250 SLM
	04	*Custom range (please directly fill in the requested range)

Code	Wetted Parts Material		
A	SS316 (Viton o-ring)	B	SS316 (FFKM o-ring)
		O	option

Code	Process Connection
1	½"NPT(F)

Code	Display
W	Flow Rate with LCD Display
B	Flow Rate with LCD Display & Blue Back Lighted
T	Flow Rate with Totalizer LCD Display & Blue Back Lighted
O	Without LCD Display

Code	Output Signal
	(1) 0~5 VDC (2) 4~20mA

Code	Input Power
	(1) 24 VDC (2) 15 VDC

Code	Power Supply for 24 VDC
	(1) With (2) Without

TMF									Complete Ordering Code
-----	--	--	--	--	--	--	--	--	------------------------