

FLOW SIGHT GLASS GAUGE

T SERIES – Thread Connection With Spring Paddle

The flow sight glass was designed with spring paddle for easy observation of flowing fluid from any direction.

Technical Data

Service: – Compatible gas and liquid – Water treatment system
 – Industrial flow system – Double window indication

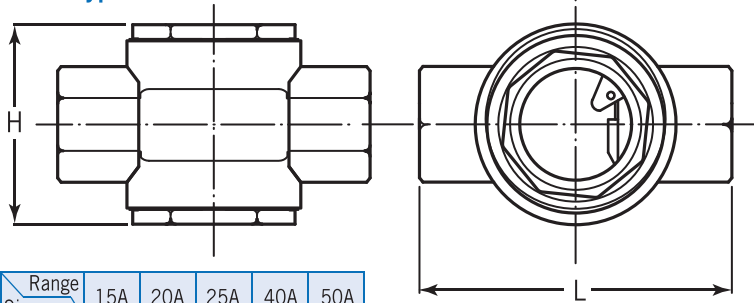
Material: Body– SS304, SS316, SS316L; Paddle– SS316; Spring– SS316
 Guge– Tempered glass; Gasket– Teflon, Gore Tex, Graphite

Max working temperature: 150°C (Teflon), 300°C (Gore-Tex)

Max working pressure: TA type: 10kg/cm² @25°C water;
 TB type: Available for 15, 25 and 40kg/cm² @25°C water

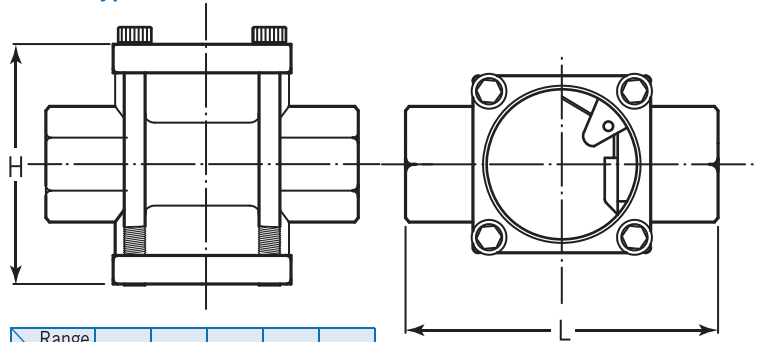
Dimension

(A) TA Type



Range Size	15A	20A	25A	40A	50A
L	114	114	114	130	150
H	72	72	72	120	136

(B) TB Type



Range Size	15A	20A	25A	40A	50A
L	114	114	114	130	150
H	72	72	72	115	129

unit=mm



TA TYPE

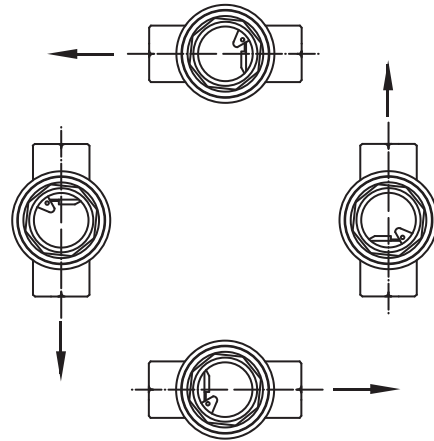


TB TYPE

Approvals:



Mounting Position



Ordering Information

TA/TB	Code	Body Material	Code	CE 1128 Mark Request
↓	↓	(A) SS304 (B) SS316 (C) SS316L	1	with Label Sticker
		Code	2	with S.S Nameplate
		Size	3	Stamp
		(1) 15A (2) 20A (3) 25A (4) 40A (5) 50A	4	Without
		Code	Code	Max. Working Pressure
↓	↓	Connection Thread	0	10 kg/cm ² (for TA type only)
		(1) NPT (2) PF (3) Option	1	15 kg/cm ² (for TB type)
		Code	2	25 kg/cm ² (for TB type)
		Gasket Material	3	40 kg/cm ² (for TB type)
↓	↓	(1) Teflon (2) Gore-Tex (3) Graphite		
				Complete Ordering Code