

PLASTIC FLOW METER

VF300 with alarm switch type
without alarm switch type

Technical Data

Service: Water, Air
Wetted Parts Material:
 Body: Polycarbonate (P.C); Polysulfone (PSU) available
 O-Ring: Viton
 Float: magnet cover with PPS plastic
 Connection: SS316
Connection Size: 3/8", 1/2", 3/4" NPT female available
Mounting: Vertical position
Max. Working Pressure Limit: 1.2 MPa (12 kg/cm²)
Max. Test Pressure: 2.0 MPa (20 kg/cm²) (water 25°C)
Max. Working Temperature Limit: -10°C to 60°C (for PC body)
 -10°C to 110°C (for PSU body)
Accuracy: ±5% full scale
Alarm Switch: One or Two setting points, form A N.O. type bistable reed switch
Switch Rating: AC 125V 0.5A / DC 100V 10W / Max. DC 250V < 40mA
Weight: 0.3~0.4 kg (Contact setting point should be within 10% to 80% of FS)

Approvals:



Original Type

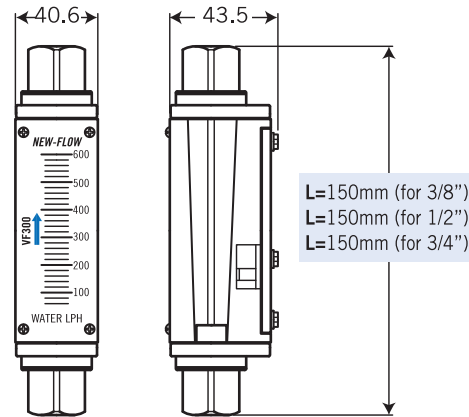
Fixed Type

Flow Direction Type

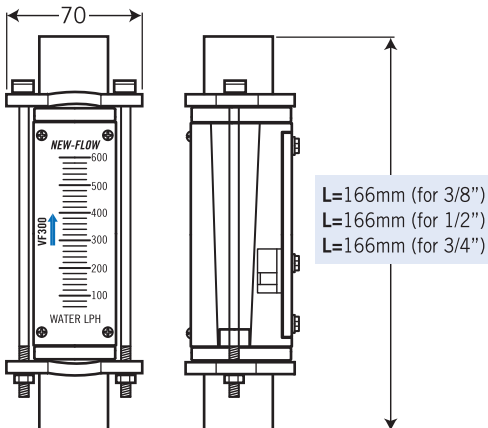


Dimensions-mm

VF-300-G: Original Type



VF-300-F: Fixed Type



Ordering Information

VF300	Code	Type
	G	Original Type
	F	Fixed Type
	Code	Flow Range
	A-1	Water (LPH-Litter per Hour) (1) 5~50 (2) 6~60 (3) 12~120 (4) 20~200 (5) 30~300 (6) 60~600
	A-2	Water (LPM-Litter per Minute) (7) 0.1~1 (8) 0.2~2 (9) 0.3~3 (10) 0.5~5 (11) 1~10
	B	Air (LPM-Normal Litter per Minute) (1) 3~30 (2) 6~60 (3) 12~120 (4) 18~180 (5) 40~400
	C-1	Water (GPH-Gallon (us) per Hour) (1) 1.2~12 (2) 1.5~15 (3) 3~30 (4) 5~50 (5) 8~80
	C-2	Water (GPM-Gallon (us) per Minute) (6) 0.12~1.2 (7) 0.25~2.5
	D	Air (SCFM-Standard Cubic Feet per Minute) (1) 0.1~1 (2) 0.2~2 (3) 0.4~4 (4) 0.6~6 (5) 1.4~14
	Code	Alarm Switch
	1R	One setting point
	2R	Two setting point
	O	Without alarm
	Code	Body Material
	PC	Polycarbonate
	PSU	Polysulfone
	Code	Connection Material
	1	SS316
	Code	Process Connection (Female)
		(A) 3/8"NPT (B) 1/2"NPT (C) 3/4"NPT
	Code	Flow Direction
	BT	Bottom to Top
VF300		Complete Ordering Code