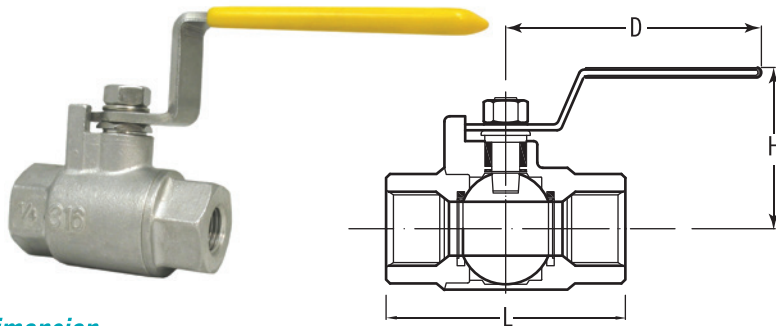


VALVE SERIES

BAV-1 Type Ball Valve (Full Bore) Class 1000-2 Pieces



Dimension

Valve Size	Inch mm	1/4"	3/8"	1/2"	3/4"	1"	1 1/4"	1 1/2"	2"
Bore Size		9.0	12.7	15.0	20.7	25.4	32.0	38.2	50.8
L		58.0	58.0	60.0	68.0	85.0	98.0	112.0	126.0
H		49.0	49.0	49.0	54.0	61.0	67.0	84.0	92.0
D		112.0	112.0	112.0	122.0	132.0	132.0	158.0	158.0
Weight/Kgs		0.25	0.25	0.30	0.45	0.80	1.15	1.70	2.75

unit=mm

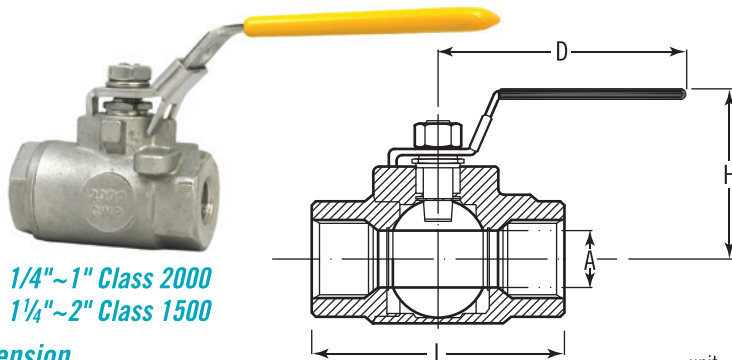
Test Pressure

Body	1200 psi (Hydrostatic)
Seat	150 psi (Air)

Part Material

Body	CF8M or SUS316
Body Cap	CF8M or SUS316
Ball	CF8M or SUS316
Retainer	CF8M or SUS316
Stem	SUS316
Seat	PTFE+15% GF
Seal	PTFE
Thrust	PTFE
Stem Packing	PTFE
Stem Gland	SUS304
Stem Nut	SUS304
Handle	SUS304

BAV-2 Type Ball Valve (Standard Port) Class 2000/1500-2 Pieces



1/4"~1" Class 2000
1 1/4"~2" Class 1500

Dimension

Valve Size	Inch mm	1/4"	3/8"	1/2"	3/4"	1"	1 1/4"	1 1/2"	2"
A		11	13	13	17	22	25	32	38
L		54	54	57	76	86	102	111	137
H		44	44	44	52	56	67	71	76
D		97	97	97	103	103	141	141	141
Weight/Kgs		0.30	0.30	0.30	0.55	0.55	1.35	1.65	2.50

unit=mm

Part Material

Part	Material	
	Stainless Steel	Carbon Steel
Handle Gland	Vinyl Plastic	
Handle	SUS304	C.S. Plated
Stem	SUS316	C.S. Plated
Handle	SUS304	
Gland	SUS316	C.S. Plated
Packing	Glass Filled PTFE	
Thrust Washer	Glass Filled PTFE	
Seat	Carbon Fibre Keinf PTFE	Glass Fibre
Ball	SUS316	C.S. Plated
Cap	SUS316	WCB
Gasket	PTFE	PTFE
Body	SUS316	WCB

NV-1 Type Needle Valve Class 6000

End Type: BSPT, ISO-228, NPT Thread
Pressure: 6000 psi (PN400)
Temperature: -60°F to 450°F
Size: 1/4" Thru 1"

Approvals:



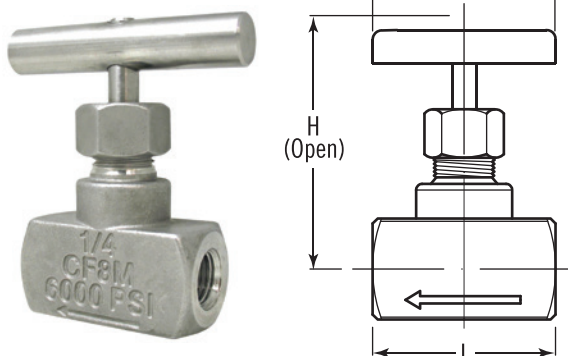
Part Material

Body	SUS316 or CF8M
Stem	SUS316
Stem Packing	SUS304
Packing	Teflon
Gland Washer	SUS304
Gland Nut	SUS304 or SUS316
Handle	SUS304
Bolts	SUS304

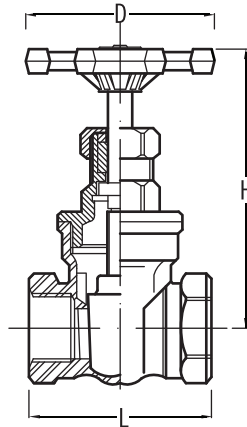
Dimension

Valve Size	Inch mm	1/4"	3/8"	1/2"	3/4"	1"
L		48	52	56	62	74
H		80	82	90	98	105
D		56	56	56	66	66
Weight/Kgs		0.37	0.4	0.53	0.75	1.05

unit=mm



GAV-1 Type Gate Valve Class 600



* Investment casting, ASTM-A351, CF8M, Class 600, inside screw and screwed bonnet wedge disc. Integral seat, Nonrising stem, and Handwheel.

Part Material

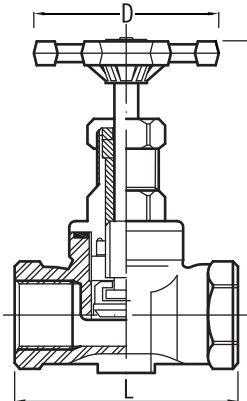
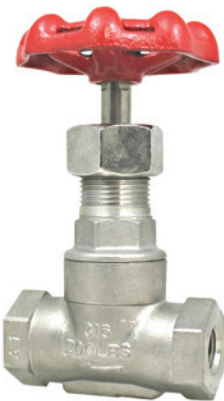
Body	CF8M
Bonnet	CF8M
Disc	CF8M
Stem	SUS316
Gasket	Teflon
Snap Ring	SUS316
Washer	SUS316
Packing	Teflon
Cap Nut	CF8M
Gland	SUS304
Handle	ZDC2 or ADC12
Spin Washer	SUS304
Stem Nut	SUS304

Dimension

Valve Size	Inch	1/2"	3/4"	1"	1 1/4"	1 1/2"	2"	2 1/2"	3"
	mm	15	20	25	32	40	50	65	75
L		57.0	61.0	69.0	78.5	81.5	94.5	116.0	131.0
H		100.0	100.0	123.0	135.0	150.0	170.0	260.0	295.0
D		62.0	62.0	75.0	75.0	95.0	95.0	120.0	120.0
Weight/Kgs		0.40	0.50	0.75	1.10	1.45	2.10	4.6	7.0

unit=mm

GBV-1 Type Globe Valve Class 600



* Investment casting, ASTM-A351, CF8M, Class 600, Screwed bonnet, Beveled disc, Integral seat, Rising-stem, and Handwheel.

Part Material

Body	CF8M
Bonnet	CF8M
Stem	SUS316
Gasket	Teflon
Disc	CF8M
Packing	Teflon
Gland	SUS316
Cap Nut	CF8M
Handle	ZDC2 or ADC12
Spin Washer	SUS304
Stem Nut	SUS304

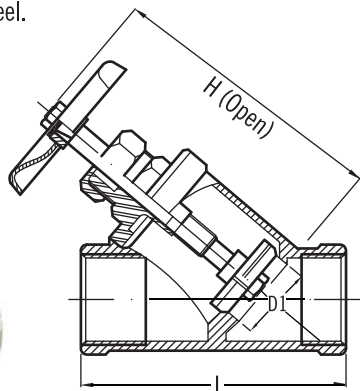
Dimension

Valve Size	Inch	1/2"	3/4"	1"	1 1/4"	1 1/2"	2"
	mm	15	20	25	32	40	50
L		63.0	70.0	77.0	87.0	100.0	110.0
H		106.0	106.0	116.0	122.0	144.0	145.0
D		62.0	62.0	75.0	75.0	95.0	95.0
Weight/Kgs		0.40	0.50	0.70	0.90	1.35	1.65

unit=mm

YGBV-1 Type Y-Globe Valve Class 600

* Investment casting ASTM-A351, CF8M, Class 600, Screwed bonnet, Beveled disc, Integral seat, Rising-stem, and Handwheel.



Part Material

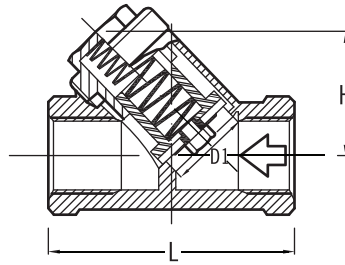
Body	SUS316 or SUS304
Bonnet	SUS316 or SUS304
Net	SUS304
Stem Washer	SUS316 or SUS304
Pin	SUS316 or SUS304
Thrust	SUS316 or SUS304
Stem	SUS316 or SUS304
Disc	Teflon
Gasket	Teflon
Packing	Teflon
Gland	SUS316 or SUS304
Thrust Gland	SUS316 or SUS304
Bonnet Ring	SUS316 or SUS304
Nameplate	SUS304
Handle Nut	SUS304
Handwheel	Mall. Iron

Dimension

Valve Size	Inch	1/4"	3/8"	1/2"	3/4"	1"	1 1/4"	1 1/2"	2"
	mm	8	10	15	20	25	32	40	50
L		57.0	57.0	61.0	70.0	86.0	100.0	111.0	138.0
H		90.0	90.0	100.0	125.0	130.0	165.0	165.0	210.0
D1		10.0	10.0	15.0	20.0	25.0	32.0	32.0	50.0
Weight/Kgs		0.30	0.30	0.40	0.50	0.70	0.90	1.35	1.65

unit=mm

YCV-1 Type Y-Spring Check Valve Class 600



Dimension

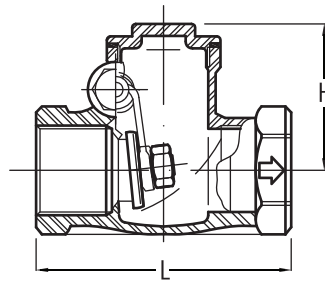
Valve Size	Inch	1/4"	3/8"	1/2"	3/4"	1"	1 1/4"	1 1/2"	2"
	mm	8	10	15	20	25	32	40	50
L		57.0	57.0	61.0	70.0	86.0	100.0	111.0	138.0
H		30.0	30.0	34.0	39.0	42.0	50.0	57.0	70.0
D1		10.0	10.0	15.0	20.0	25.0	32.0	40.0	50.0
Weight/Kgs		0.25	0.25	0.25	0.40	0.60	0.85	1.10	1.60

unit=mm

Part Material

Body	SUS316 or SUS304
Cap	SUS316 or SUS304
Disc Bonnet	SUS316 or SUS304
Spring	SUP 3
Thrust Washer	SUS316 or SUS304
Bolt	SUS304
Disc	Teflon
Gasket	Teflon

SCV-1 Type Swing Check Valve Class 600



* Investment casting ASTM-A351 CF8M, Screwed Cap, Swing Type Disc, Integral Seat.

Dimension

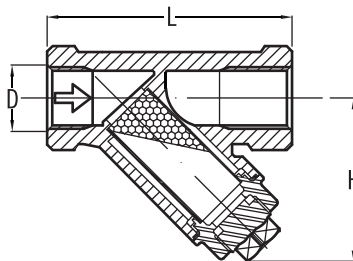
Valve Size	Inch	1/2"	3/4"	1"	1 1/4"	1 1/2"	2"	2 1/2"	3"
	mm	15	20	25	32	40	50	65	75
L		60.0	78.0	84.0	94.0	104.0	122.0	153.0	175.0
H		41.5	46.0	49.0	53.5	58.5	67.0	105.0	125.0
Weight/Kgs		0.29	0.53	0.69	0.85	1.20	1.80	3.5	5.0

unit=mm

Part Material

Body	CF8M
Cap	CF8M
Disc	CF8M
Connecting Rod	CF8M
Disc Nut	SUS316
Pin	SUS304
Bolt Washer	Teflon
Gasket	Teflon
Bolt	SUS304

YST-1 Type Y-Strainer Valve Class 600



Dimension

Valve Size	Inch	1/4"	3/8"	1/2"	3/4"	1"	1 1/4"	1 1/2"	2"
	mm	8	10	15	20	25	32	40	50
L		57.0	57.0	61.0	70.0	86.0	100.0	111.0	138.0
H		32.0	32.0	37.0	41.0	47.0	54.0	62.0	76.0
D		10.0	10.0	15.0	20.0	25.0	32.0	38.0	51.0
Weight/Kgs		0.25	0.25	0.28	0.40	0.60	0.90	1.15	1.65

unit=mm

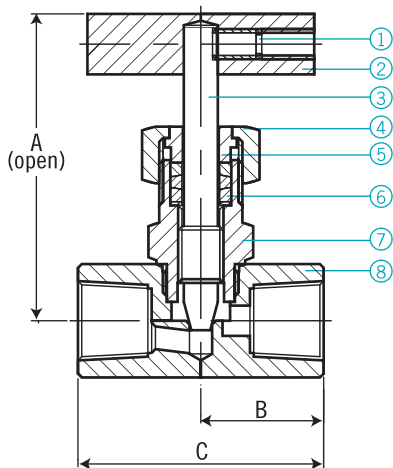
Part Material

Body	SUS316 or SUS304
Screen	SUS316 or SUS304
Bottom Plug	SUS316 or SUS304
Packing	PTFE
Gasket	PTFE
Plug	SUS316 or SUS304

NV-2 Type Needle Valve Class 10000, SS316

BAR STOCK
 Body Material: SS316
 Working Pressure 10000 PSI
 Size Ranging: 1/4"~1" (DN8~DN25)
 End Connections: PF / BSPT / NPT
 With T Handle Operation

Approvals:



Part Material

NO.	Description	Qty	Material
1	Set Screw	1	SUS304
2	Handle	1	SUS410
3	Stem	1	SUS316
4	Gland Nut	1	SUS304
5	Gland	1	SUS304
6	Packing	1SET	TEFLON
7	Bonnet	1	SUS316
8	Body	1	SUS316

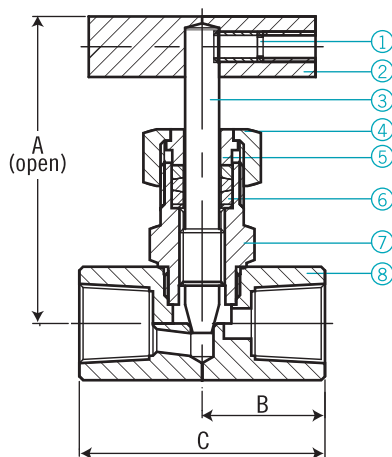
Dimension

SIZE	A	B	C
1/4" PF/ BSPT/ NPT	75	29	58
3/8" PF/ BSPT/ NPT	75	29	58
1/2" PF/ BSPT/ NPT	87	32.5	65
3/4" PF/ BSPT/ NPT	90	35	70
1" PF/ BSPT/ NPT	103	40	80

unit=mm

NV-3 Type Needle Valve Class 6000, Hastelloy C-276

BAR STOCK
 Body Material: Hastelloy C-276
 Working Pressure 6000 PSI
 Size Ranging: 1/2" (DN15)
 End Connections: NPT thread only
 With T Handle Operation



Part Material

NO.	Description	Qty	Material
1	Set Screw	1	SUS304
2	Handle	1	SUS316
3	Stem	1	Hastelloy C-276
4	Gland Nut	1	Hastelloy C-276
5	Gland	1	Hastelloy C-276
6	Packing	1SET	TEFLON
7	Bonnet	1	Hastelloy C-276
8	Body	1	Hastelloy C-276

Dimension

SIZE	A	B	C
1/2"NPT	87	32.5	65

unit=mm